

CERTIFIED

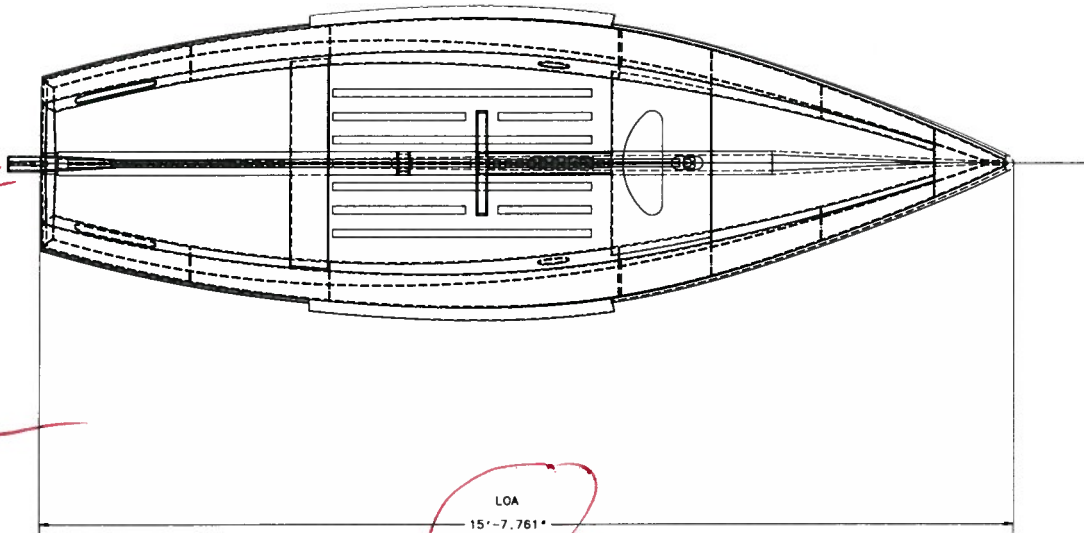
Roy Sherman

Meagan Windmire

CLASS

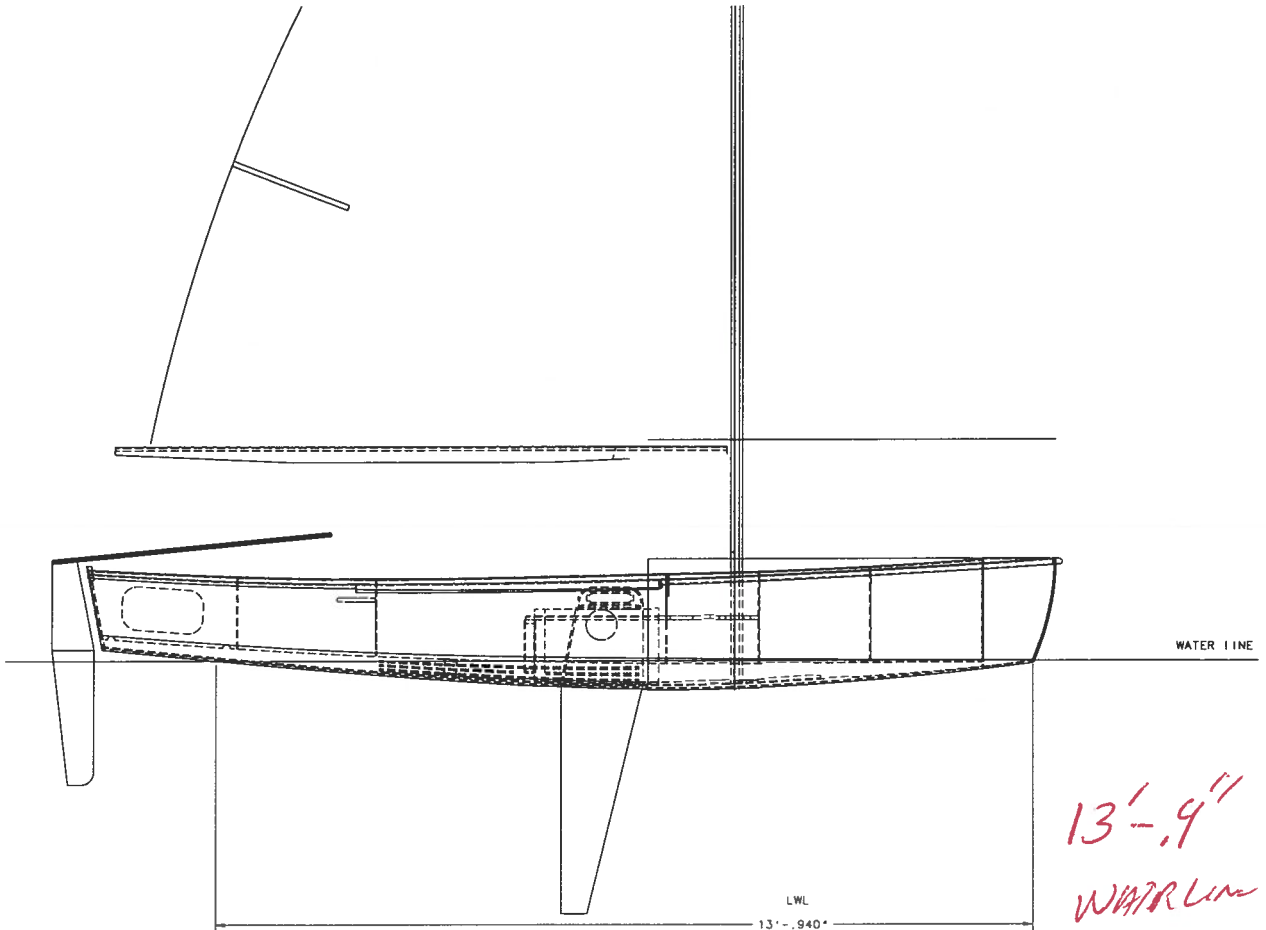
8/16/2011

[Handwritten signature]



LOA
15'-7.761"

15' 7 3/4" LOA



WATER LINE

LWL

13'-.940"

13'-.9"
WATER LINE